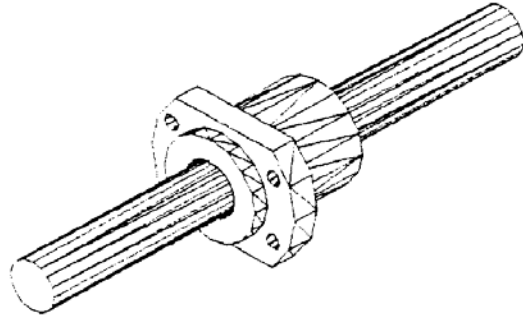


# Ball Screw Application Data Form



## 1. Job Details:

Customer: \_\_\_\_\_  
 Contact: \_\_\_\_\_  
 Telephone: \_\_\_\_\_  
 Fax: \_\_\_\_\_  
 Email: \_\_\_\_\_  
 Date: \_\_\_\_\_



## 1. System Specifications:

Application Orientation:  Vertical  Horizontal  
 Rotating Part:  Screw  Nut  
 Stroke Length: (mm) \_\_\_\_\_ Total Length: (mm) \_\_\_\_\_  
 Support Method:  Fixed-Supported  Fixed-Fixed  Fixed-Free

## 2. Load Specifications

Axial Load: (Kg) \_\_\_\_\_  
 System Mass: (Kg) \_\_\_\_\_

## 3. Motion Profile

Nominal Stroke Length: (mm) \_\_\_\_\_  
 Nominal Stroke Time: (s) \_\_\_\_\_  
 Motion Profile:  Trapezoidal  Triangular  
 Trapezoidal Ramp Time: \_\_\_\_\_  
 Max Linear Velocity: (mm/s) \_\_\_\_\_  
 Max Acceleration: (mm/s<sup>2</sup>) \_\_\_\_\_

## 4. Accuracy Specifications

Axial Play: (mm) \_\_\_\_\_  
 Lead Error: (mm) \_\_\_\_\_  
 Positioning Accuracy: (mm) \_\_\_\_\_  
 Repeatability: (mm) \_\_\_\_\_

## 5. Life Specifications

Cycles per Hour: \_\_\_\_\_ Hours Per Day: \_\_\_\_\_ Days Per Year: \_\_\_\_\_  
 Required Life: (Years) \_\_\_\_\_

## 6. Environmental Specifications

Operating Temperature Range: \_\_\_\_\_ °C → \_\_\_\_\_ °C  
 Shock Loads:  None  Mild  Moderate  Severe  
 Vibrations:  None  Mild  Moderate  Severe  
 Contamination:  None  Mild  Moderate  Severe  
 Contaminant (Specify): \_\_\_\_\_

## 7. Notes:

---



---



---



---

Melbourne Tel: 03 9755 6044 Fax: 03 9755 6088  
 Sydney Tel: 02 9792 7188 Fax: 02 9792 2810  
 Auckland Tel: 09 273 9723 Fax: 09 273 9725

Adelaide Tel: 08 8283 4177 Fax: 08 8283 4188  
 Perth Tel: 08 9358 2444 Fax: 08 9358 2666  
 Brisbane Tel: 07 3274 3388 Fax: 07 3274 3400