

**Technical data / DYMAT**

<b>Drive type</b>	single drive	
<b>Protection classification</b>	protection classification III (protection classification II as an option with mounted control)	
<b>Protection category</b>	IP 20 (IP 43 with protective cover)	
<b>Motor voltage</b>	24 V DC (12 V DC optional)	
<b>Operating mode</b>	intermittent duty 2/18 min.	
<b>Type of load</b>	push / pull	
<b>Stroke</b>	up to 400 mm	
<b>Adjustment load</b>	max. 6000 N	
<b>Mains connection (only with main drives)</b>	230 V AC 50 - 60 Hz (country-specific variants on demand)	
<b>Fitting dimension (B)</b>	210 to 310 mm + stroke (depending on the drive type)	
<b>Colours</b>	light grey, ivory, brown	
<b>Equipment options</b>	infrared handset, auxiliary transformer, emergency lowering, mains cutt-of; not with IP 43), memory (hall sensor, only as slave drive)	
<b>Stroke pipe materials</b>	steel, powder-coated	
<b>Controls which can be fitted directly to the drive</b>	special DYMAT control	
<b>Available drives</b>	DYMAT 3000	DYMAT 6000
<b>max. push / pull force at stroke 0 - 350 mm</b>	3000 / 3000 N	6000 / 3000 N
<b>max. push / pull force at stroke 351 - 400 mm</b>	3000 / 3000 N	-
<b>Adjustment speed **</b>	up to 10,0 mm/s	up to 6,5 mm/s

\*\* depending on drive configuration at constant 24V without load

We reserve the right to make technical alternations

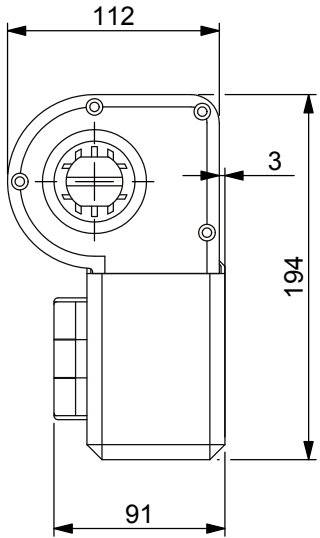
# DYMAT



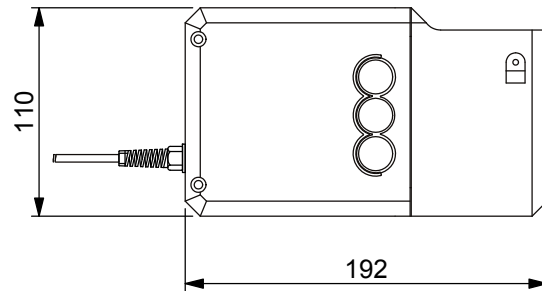
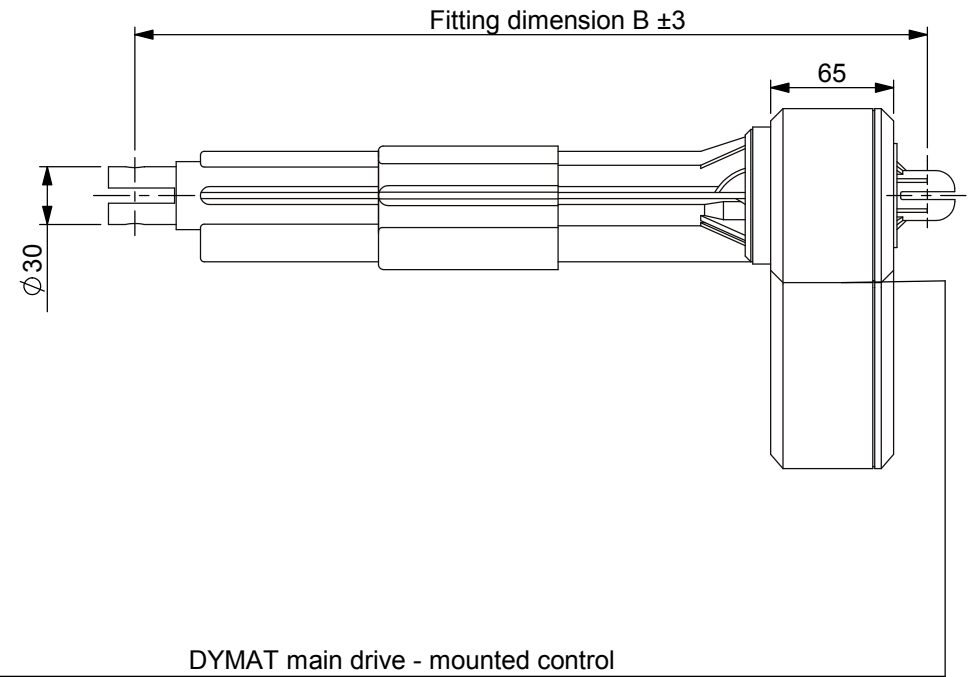
**DEWERT**

A Phoenix Mecano Company

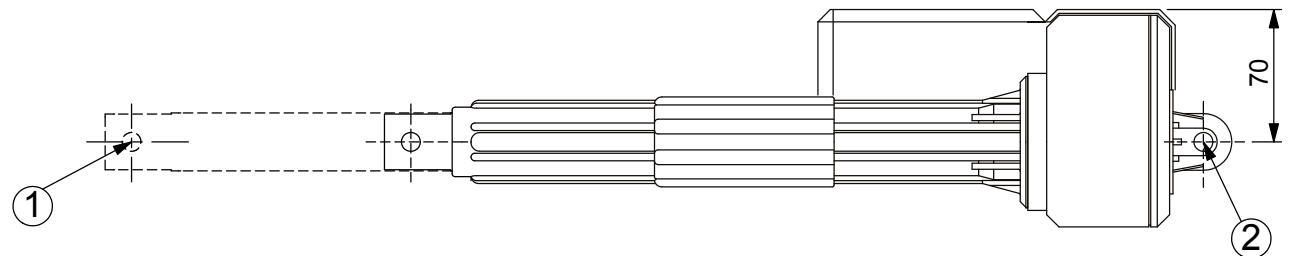
Side view right  
with mounted control



Front view



Top view



① Drill hole in the stroke pipe clevis: 10mm  
Slot in the stroke pipe clevis: 5/8mm

② Drill hole in the gear clevis: 10mm  
Slot in the gear clevis: 5/8mm