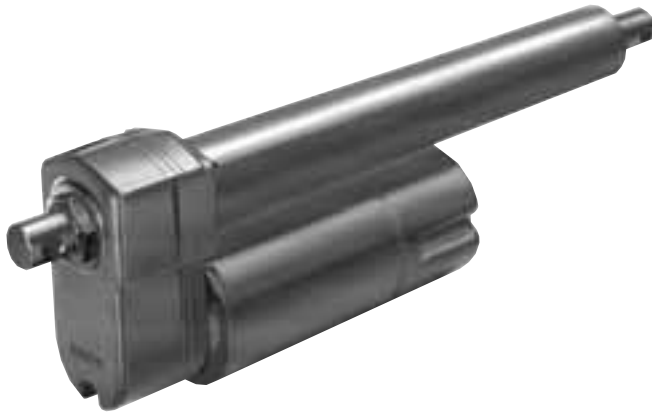


115 and 230 VAC  
500, 1000 and 1500 lb. load capacities



## General purpose AC actuator

The Electrak 5 is designed for intermittent duty applications and provides maximum thrust of 500 pounds. or 1000 pounds. Since it is powered by 115 VAC or 230 VAC, the Electrak 5 actuator can be easily wired and can be controlled by a simple pushbutton switch or relay for remote control of hard-to-reach operations such as opening or closing an overhead window.

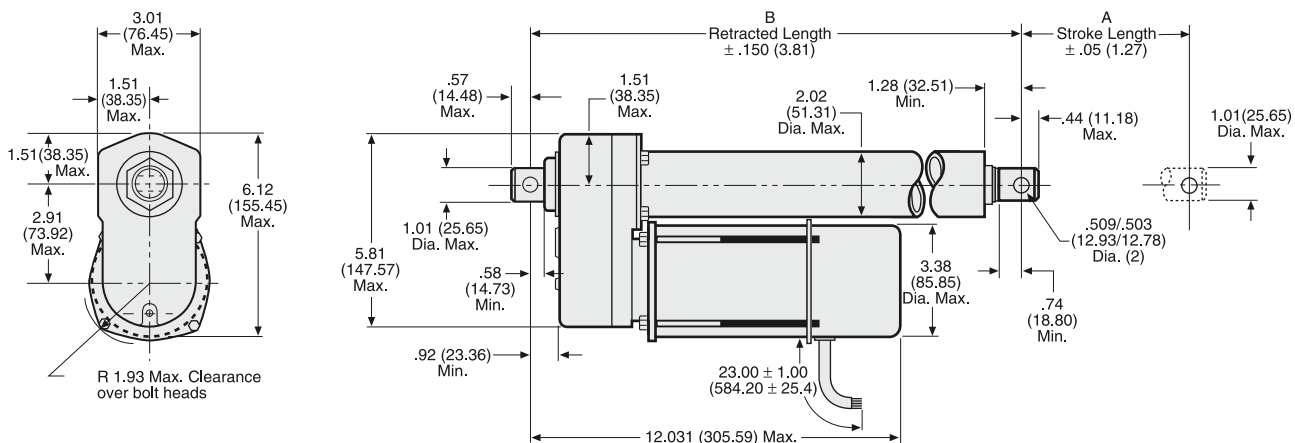
Consisting of an AC motor, gear train and ball bearing screw drive system, Electrak 5 actuators feature quality construction with a stainless steel extension tube and slip clutch to protect the unit from overloading.

Rated for 25% duty cycle for in-plant applications, the Electrak 5 must be clevis mounted. Standard lengths include 4, 8, 12, 18 and 24" strokes. A capacitor is not included with the actuator.

## Control

The MCS-2041 and MCS-2042 controls were designed specifically to operate the Electrak 5 actuators. The capacitor is prewired to the terminal strip and a convenient rocker switch on the cover extends or retracts the actuator. See page D-43.

## Dimensions



\*Consult customer service

## Features

- 500, 1000 and 1500\* lb. load capacity models
- New stronger housing
- UL recognized and CSA certified
- Highly efficient ball bearing screw drive system
- 4, 8, 12, 18, or 24 inch stroke models
- Load limiting clutch
- Metal spur gears
- Stainless steel extension tube
- Anti-coast motor brake for accurate positioning
- Heavy duty 115 VAC 60 Hz only or 230 VAC 50/60 Hz single phase motor
- Thermal overload protects actuator in the event of a stall or an overload or high duty cycle condition. Resets automatically.

Note: A capacitor must be ordered when not using the MCS-2041 or MCS-2042 controls.

Note: Maximum life is 50,000 starts and stops assuming that external limit switches are used for end of stroke direction instead of ratcheting the clutch.

## Typical Applications

- Ergonomic lift tables
- Conveyor diverter
- Open and close windows, bins

## Specifications

Input	115 VAC 60 Hz or 230 VAC 50/60 Hz
Load capacities	500, 1000 or 1500* lbs. maximum
Stroke lengths	4, 8, 12, 18, or 24 inches
Current draw	2.85 amps maximum at rated load 115 VAC; 1.55 amps maximum at rated load 230 VAC
Duty cycle	25% "on time" at rated load per cycle 77° F (max. on time 45 sec.)
Motor protection	Automatic reset thermal overload in motor windings
Overload Protection	Ball detent overload clutch
Temperature range	-15° F to 150° F
Drive	Ball bearing screw
Housing	Zinc
Cable	18 ga., 5 conductor cable
Connector	Packard series 56 (included)
Capacitor	Included in MCS-2041 or MCS-2042 or must be ordered separately
Capacitor	115V = 35 MFD 240 VAC Part No. 9200-448-002 230V = 10 MFD 370 VAC Part No. 9200-448-003
End Play	.040 in. max.
Static Load	2500 lbs. for all strokes
Restraining Torque	100 lb. in. max.
Wiring Diagram	See page D-59

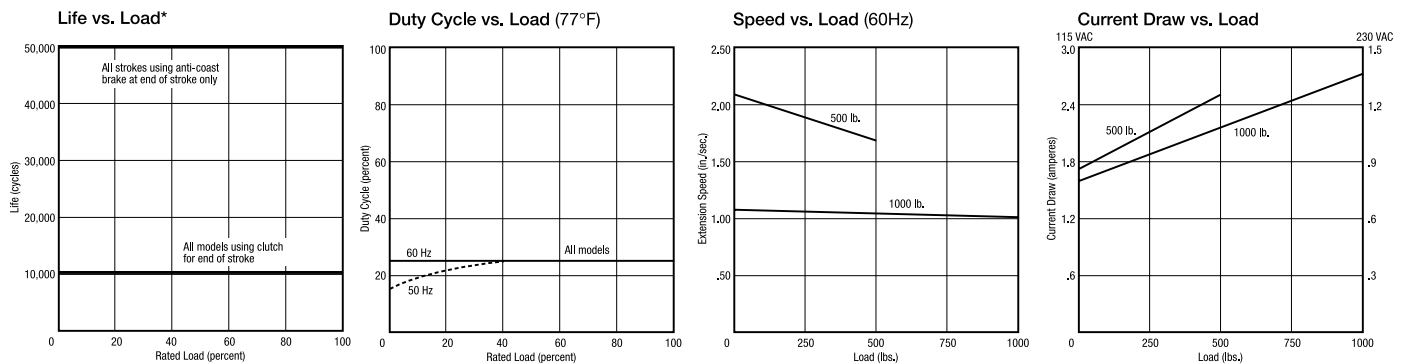
\*Consult customer service

## Model Numbers – use when ordering

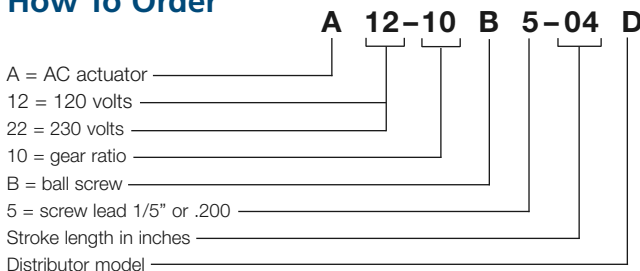
Stroke Length	500 lb. Capacity		1000 lb. Capacity		A	B	Weight lbs.
	115VAC	230VAC	115VAC	230VAC			
4	A12-05B5-04D	A22-05B5-04D	A12-10B5-04D	A22-10B5-04D	4.00 (101.60)	14.95 (379.73)	14.40
8	A12-05B5-08D	A22-05B5-08D	A12-10B5-08D	A22-10B5-08D	8.00 (203.20)	18.95 (481.33)	15.24
12	A12-05B5-12D	A22-05B5-12D	A12-10B5-12D	A22-10B5-12D	12.00 (304.80)	22.95 (582.93)	16.08
18	A12-05B5-18D	A22-05B5-18D	A12-10B5-18D	A22-10B5-18D	18.00 (457.20)	28.95 (735.33)	17.34
24	A12-05B5-24D	A22-05B5-24D	A12-10B5-24D	A22-10B5-24D	24.00 (609.60)	34.95 (887.73)	18.60
Controls	MCS-2041	MCS-2042	MCS-2041	MCS-2042	—	—	—
*Capacitor	9200-448-002	9200-448-003	9200-448-002	9200-448-003	—	—	—

\* Capacitor must be ordered when not using the MCS-2041 or MCS-2042 controls. Additional models including end of stroke limit switches are available – contact the factory.

## Performance Curves



## How To Order



©2003 Danaher Motion. Printed in the U.S.A. The specifications in this publication are believed to be accurate and reliable. However, it is the responsibility of the product user to determine the suitability of Thomson products for a specific application. While defective products will be replaced without charge if promptly returned, no liability is assumed beyond such replacement.