

Technical data / MEGAMAT 2

Drive type	single drive				
Protection classification	protection classification III				
Protection category	IP 20 (IP 44 / IP 66 optional)				
Motor voltage	24 V DC				
Operating mode	intermittent duty 2/18 min.				
Type of load	push / pull				
Stroke	up to 425 mm (different stroke available on request)				
Adjustment load	max. 6000 N				
Quick-release	GQR up to max. 3000 N (optional; only for pull- or push drives)				
Emergency release	ER only on MEGAMAT 2 500 N, 1500 N and 2000 N (optional; only for push-drives)				
Mains connection	-				
Fitting dimension (B)	163 to 216 mm + stroke (depending on the to 262 mm + stroke (depending drive type), with GQR: 209 up to 262 mm + stroke (depending on the drive type)				
Colours	black, light grey				
Equipment options	memory (hall sensor), fixed or pluggable motor cable, as required, GQR (up to 3000 N), ER (up to 2000 N)				
Stroke pipe materials	aluminium, steel (optional)				
Controls which can be fitted directly to the drive	MCL for max. 4 drives (from fitting dimension B 276 mm / 322 mm with GQR)				
Available drives	MEGAMAT 2 500	MEGAMAT 2 1500	MEGAMAT 2 2000	MEGAMAT 2 4000	MEGAMAT 2 6000
max. push / pull force at stroke 0 - 200 mm	500 / 500 N	1500 / 1500 N	2000 / 2000 N	4000 / 3000 N (4000N)	6000 / 3000 N (4000N)
max. push / pull force at stroke 201 - 300 mm	500 / 500 N	1500 / 1500 N	2000 / 2000 N	4000 / 3000 N (4000N)	6000 / 3000 N (4000N)
max. push / pull force at stroke 301 - 425 mm	500 / 500 N	1500 / 1500 N	2000 / 2000 N	4000 / 3000 N (4000N)	-
Adjustment speed **	up to 36,0 mm/s	up to 16,5 mm/s	up to 12,0 mm/s	up to 9,0 mm/s	up to 8,0 mm/s

** depending on drive configuration at constant 24V without load

We reserve the right to make technical alternations

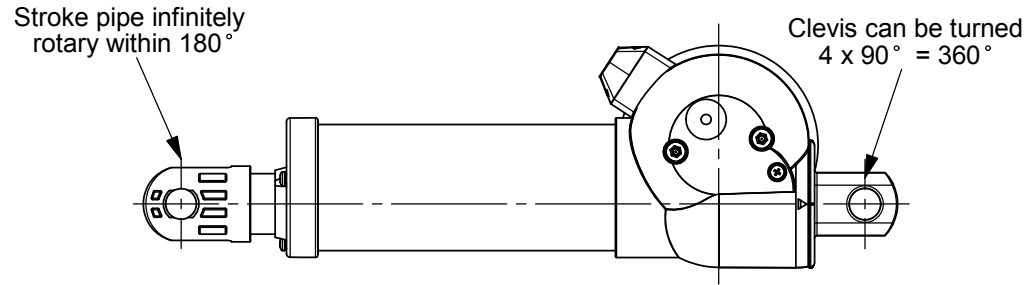


DEWERT

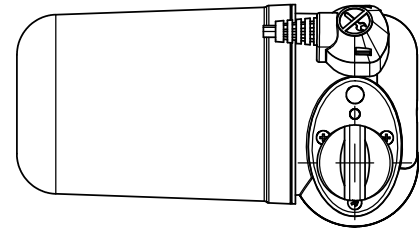
A Phoenix Mecano Company

MEGAMAT 2

Front view

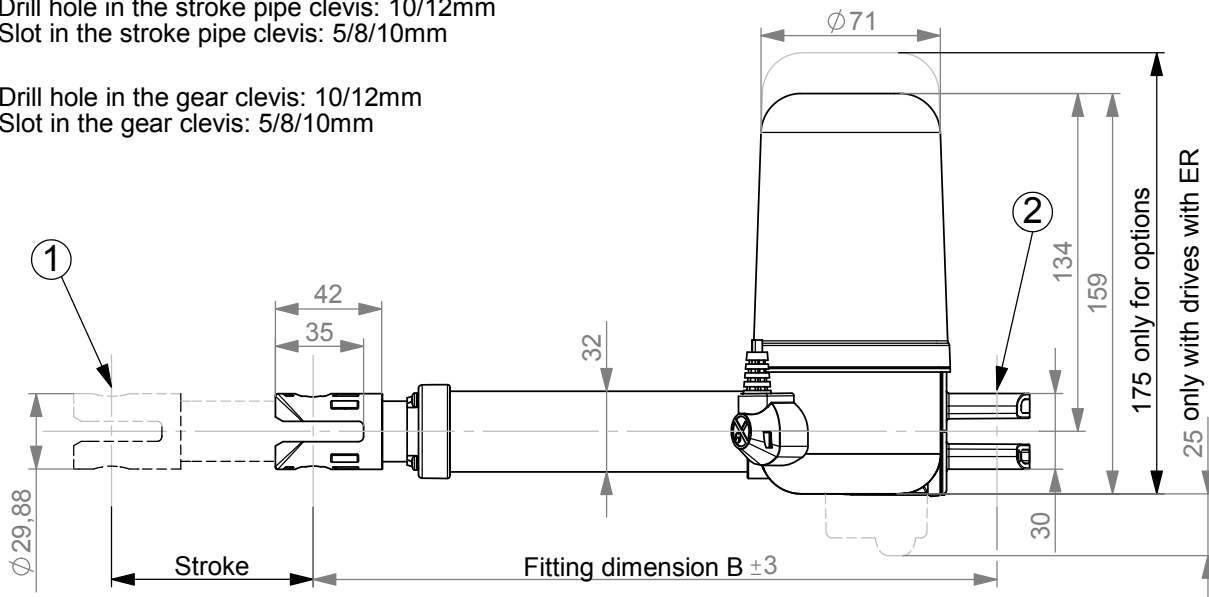


Side view



Top view

- ① Drill hole in the stroke pipe clevis: 10/12mm
Slot in the stroke pipe clevis: 5/8/10mm
- ② Drill hole in the gear clevis: 10/12mm
Slot in the gear clevis: 5/8/10mm



Emergency release ER

