

**Technical data / MEGAMAT P**

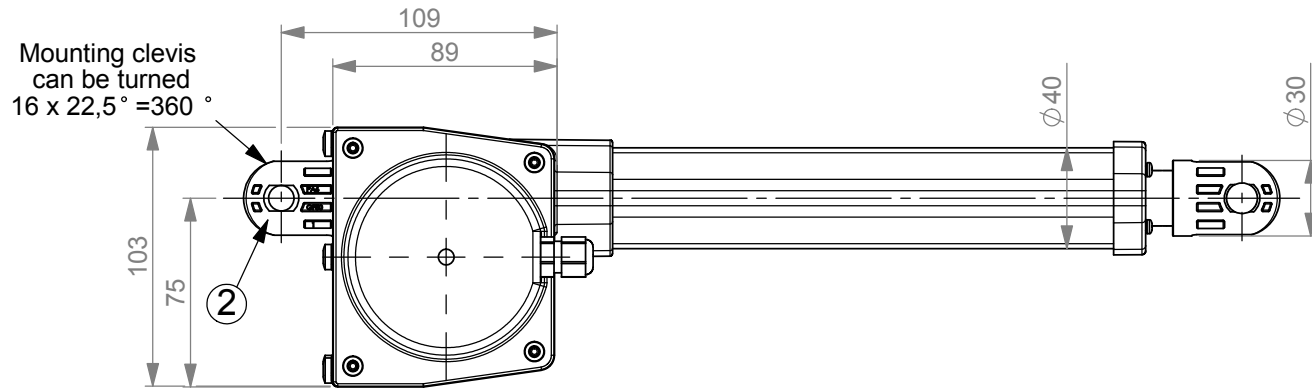
<b>Drive type</b>	single drive	
<b>Protection classification</b>	protection classification III	
<b>Protection category</b>	IP 20 (IP 44 / IP 66 / wash tunnel proof as an option)	
<b>Motor voltage</b>	24 V DC	
<b>Operating mode</b>	intermittent duty 2/18 min.	
<b>Type of load</b>	push / pull	
<b>Stroke</b>	up to 300 mm	
<b>Adjustment load</b>	max. 8000 N	
<b>Quick-release</b>	GQR up to max. 4000 N (optional; only for pull- or push-drives))	
<b>Mains connection</b>	-	
<b>Fitting dimension (B)</b>	178 to 220 mm + stroke (depending on the drive type), with GQR: 224 to 266 mm + stroke (depending on the drive type)	
<b>Colours</b>	light grey	
<b>Equipment options</b>	memory (hall sensor; potentiometer), manual adjustment using a crank, GQR (up to 4000 N)	
<b>Stroke pipe materials</b>	steel	
<b>Controls which can be fitted directly to the drive</b>	MCL	
<b>Available drives</b>	MEGAMAT P 6000	MEGAMAT P 8000
<b>max. push / pull force at stroke 0 - 300 mm</b>	6000 / 4000 N	8000 / 4000 N
<b>Adjustment speed **</b>	up to 8,0 mm/s	up to 6,0 mm/s

\*\* depending on drive configuration at constant 24V without load

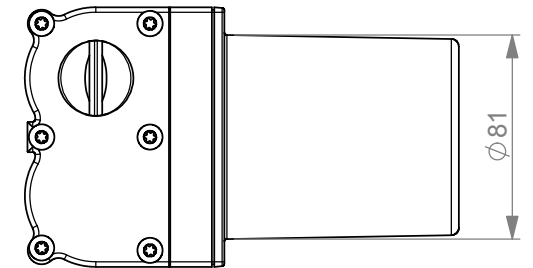
We reserve the right to make technical alternations

# MEGAMAT P

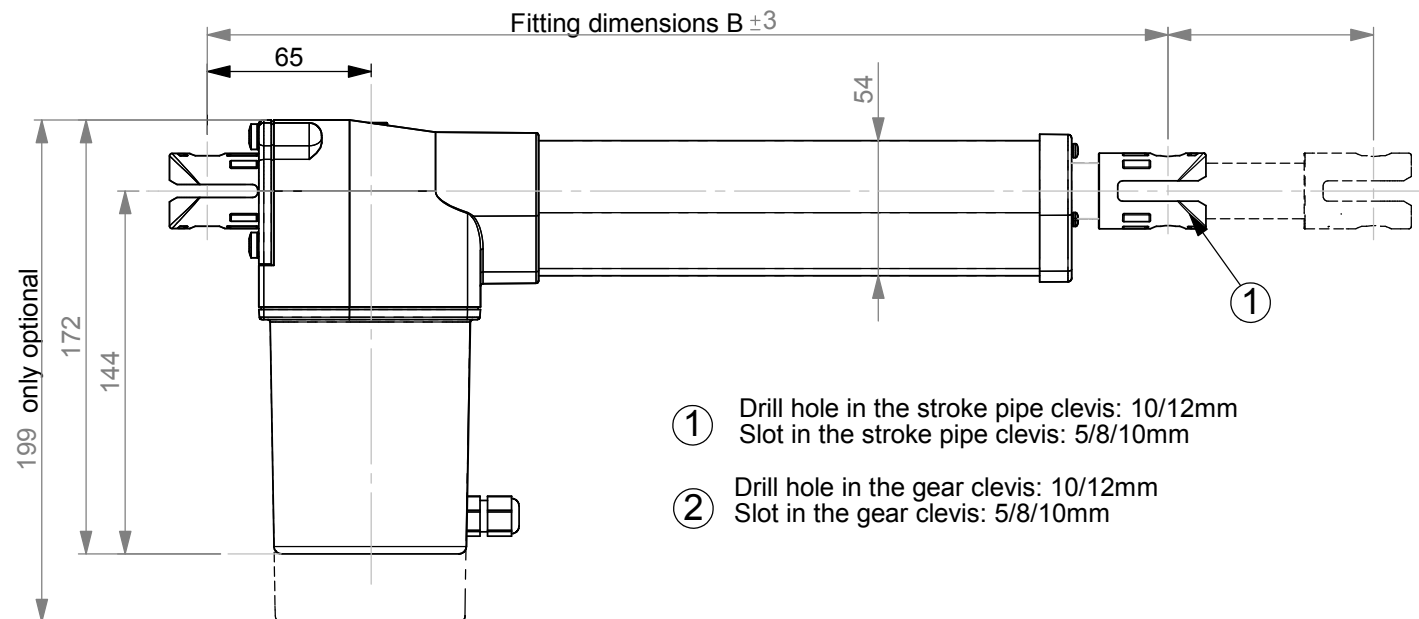
Front view



Side view



Top view



① Drill hole in the stroke pipe clevis: 10/12mm  
Slot in the stroke pipe clevis: 5/8/10mm

② Drill hole in the gear clevis: 10/12mm  
Slot in the gear clevis: 5/8/10mm