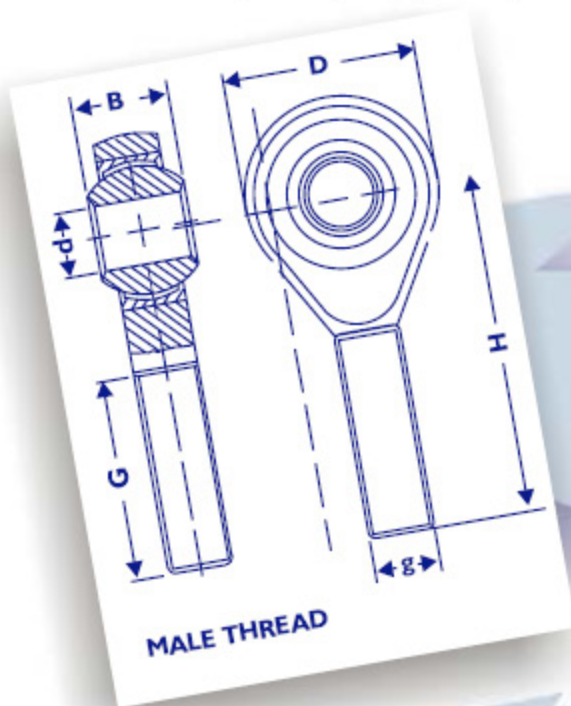


METRIC ROD ENDS - MALE

Bronze Lined	Nylon Lined	Teflon Lined	Teflon Lined Stainless Steel	Basic Size Eye Diameter	Thread g mm x pitch	Thread Length	Centre of Eye to Thread End	Head Diameter	Overall Ball Width	Studded See page 2	
										P	K
POS	PM-M	KA-D	**RBT-E	d	g x pitch	G	H	D	B		
				3	3X.5	15	27	12	6	6	6
				5	5X.8	20	33	18	8	5	10
				6	6X1	22	36	20	9	12	12
				8	8X1.25	25	42	24	12	16	16
				10	10X1.5	29	48	28	14	20	20
				12	12X1.75	33	54	32	16	24	24
				14	14X2	36	60	36	19	28	28
				16	16X2	40	66	42	21	32	32
				18	18X1.5	44	72	46	23	-	-
				20	20X1.5	47	78	50	25	-	-
				25	24X2	57	94	60	31	-	-
				30	30X2	66	110	70	37	-	-



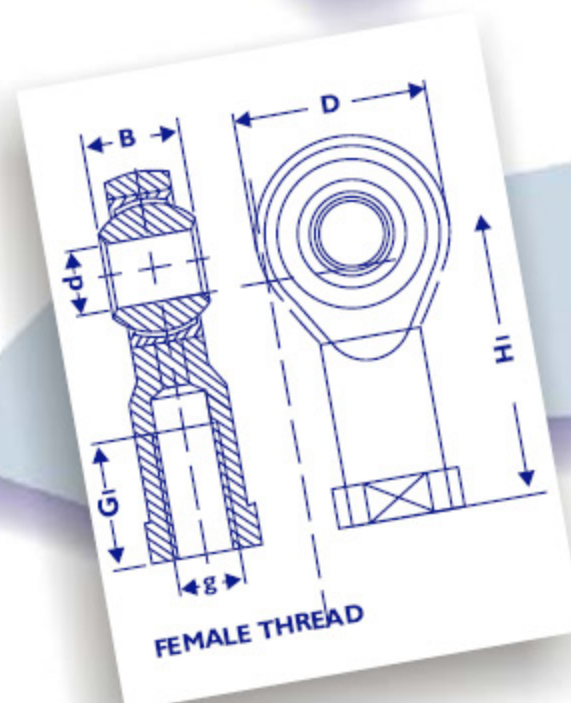
**RBT-E Type not available with stud

Ordering Example: POS16 (Bronze lined, male, right hand, 16mm basic size)

For left hand version add L to part number, eg PML12M

METRIC ROD ENDS - FEMALE

Bronze Lined	Nylon Lined	Teflon Lined	Teflon Lined Stainless Steel	Basic Size Reference	Thread g mm x pitch	Thread Length	Centre of Eye to Thread End	Head Diameter	Overall Ball Width	Studded See page 2	
										P	K
PHS	PF-M	*KJ-D	**RBT		g x pitch	G1	H1	D	B		
				3	3X.5	10	21	12	6	6	6
				5	5X.8	10	27	18	8	5	10
				6	6X1	12	30	20	9	12	12
				8	8X1.25	16	36	24	12	16	16
				*10	10X1.5	20	43	28	14	20	20
				*12	12X1.75	22	50	32	16	24	24
					12X1.25						
				14	14X2	25	57	36	19	28	28
				*16	16X2	28	64	42	21	32	32
					16X1.5						
				18	18X1.5	32	71	46	23	-	-
				20	20X1.5	33	77	50	25	-	-
				25	24X2	48	94	60	31	-	-
				30	30X2	56	110	70	37	-	-



**RBT Type not available with stud

*Specify pitch when ordering KJ-D series for sizes 10, 12 & 16 eg, KJ10DX1.25

For left hand versions add L to part number, eg KJL8D