

**Technical data / MULTIMAT B23**

<b>Drive type</b>	single drive		
<b>Protection classification</b>	protection classification III		
<b>Protection category</b>	IP 20 (IP 44 also available with expansion bellows)		
<b>Motor voltage</b>	24 V DC		
<b>Operating mode</b>	intermittent duty 2/18 min.		
<b>Type of load</b>	push / pull		
<b>Stroke</b>	up to 345 mm		
<b>Adjustment load</b>	max. 4000 N		
<b>Mains connection</b>	-		
<b>Fitting dimension (B)</b>	B1 / B2: 55 / 170 mm		
<b>Colours</b>	black		
<b>Equipment options</b>	memory (hall sensor)		
<b>Stroke pipe materials</b>	-		
<b>Controls which can be fitted directly to the drive</b>	MBK		
<b>Available drives</b>	MULTIMAT B23 1500	MULTIMAT B23 2000	MULTIMAT B23 4000
<b>max. push / pull force for stroke D1 up to 300 mm</b>	1500 / 1500 N	2000 / 2000 N	4000 / 4000 N
<b>max. push / pull force for stroke D2 up to 415 mm</b>	1500 / 1500 N	2000 / 2000 N	4000 / 4000 N
<b>max. push / pull force for stroke D1 up to 400 mm</b>	1500 / 1500 N	2000 / 2000 N	2000 / 4000 N
<b>max. push / pull force for stroke D2 up to 515 mm</b>	1500 / 1500 N	2000 / 2000 N	2000 / 4000 N
<b>Adjustment speed **</b>	up to 12,0 mm/s	up to 10,0 mm/s	up to 6,5 mm/s

\*\* depending on drive configuration at constant 24V without load

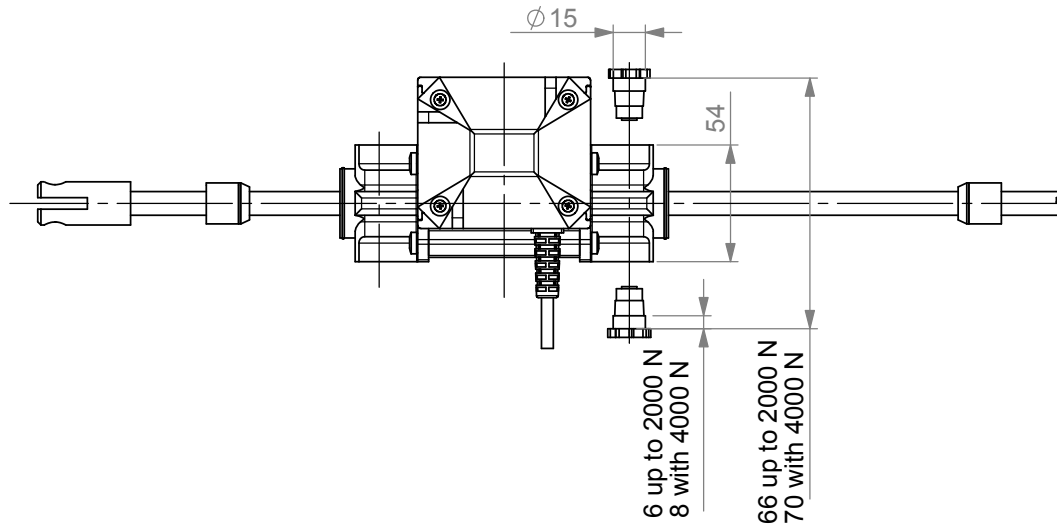
We reserve the right to make technical alternations

# MULTIMAT B23

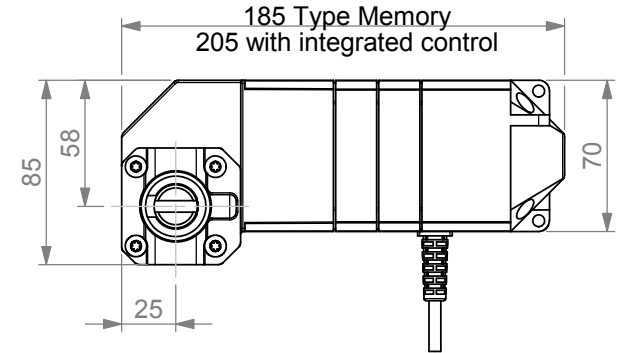


A Phoenix Mecano Company

Front view



Side view



Top view

