

Technical data / MULTITRAXX

Drive type	single drive					
Protection classification	protection classification III					
Protection category	IP 20					
Motor voltage	24 V DC					
Operating mode	intermittent duty 2/18 min.					
Type of load	push / pull					
Stroke	up to 750 mm					
Adjustment load	4000 N (6000 N as an option)					
Fitting dimension (B)	157 mm					
Colours	black					
Colour of steel profile	silver					
Colour of steel adapter	black					
Equipment options	memory (hall sensor), middle limit switch					
Controls which can be fitted directly to the drive	integrated for max. 2 drives					
Available drives	MULTITRAXX 500	MULTITRAXX 1000	MULTITRAXX 1500	MULTITRAXX 2000	MULTITRAXX 4000	MULTITRAXX 6000
max. push / pull force at stroke 0 - 550 mm	500 / 500 N	1000 / 1000 N	1500 / 1500 N	-	-	-
max. push / pull force at stroke 551 - 750 mm	500 / 500 N	1000 / 1000 N	-	-	-	-
max. push / pull force at stroke 0 - 300 mm	-	-	-	2000 / 2000 N	4000 / 4000 N	6000 / 4000 N
max. push / pull force at stroke 301 - 400 mm	-	-	-	2000 / 2000 N	2000 / 4000 N	-
Adjustment speed **	up to 36,0 mm/s	up to 16,5 mm/s	up to 16,5 mm/s	up to 12,0 mm/s	up to 9,0 mm/s	up to 8,0 mm/s

** depending on drive configuration at constant 24V without load

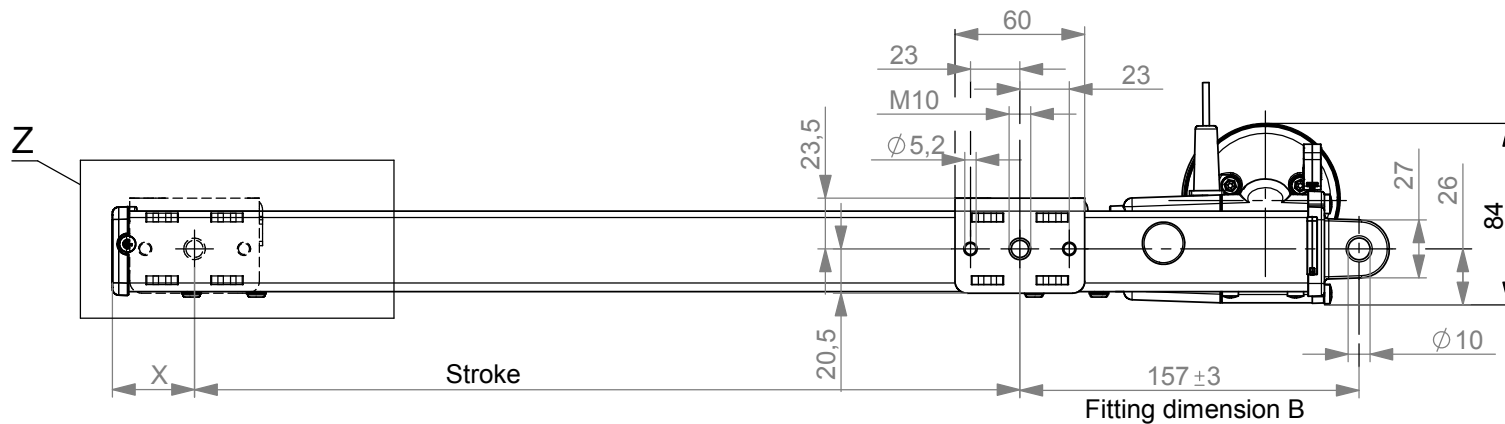
We reserve the right to make technical alternations

MULTITRAXX

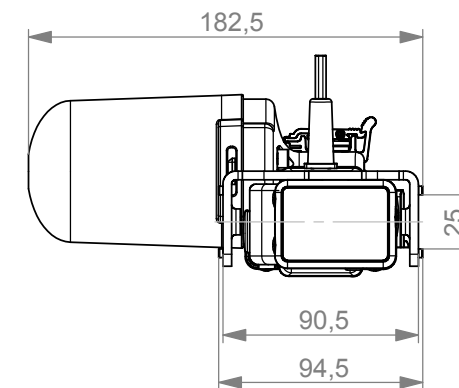


A Phoenix Mecano Company

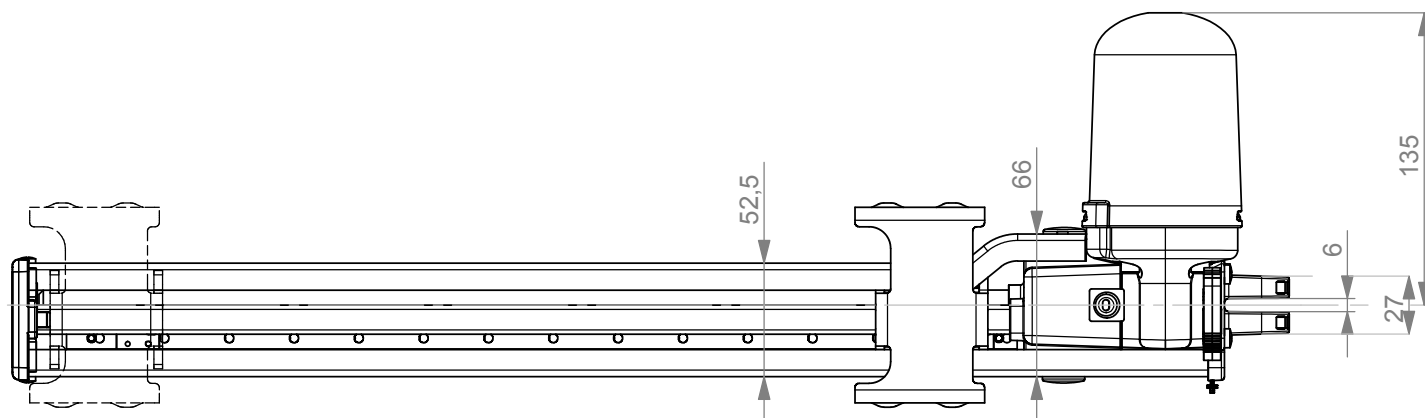
Front view



Side view

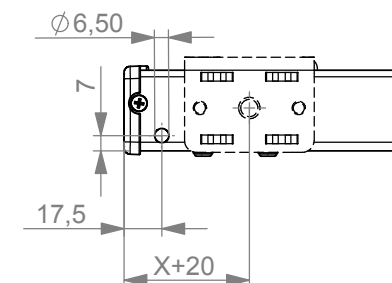


Top view



Detail Z

variation mounting hole in profile (option)



X = on request - depending on individual application