

Technical data / VARIOMAT

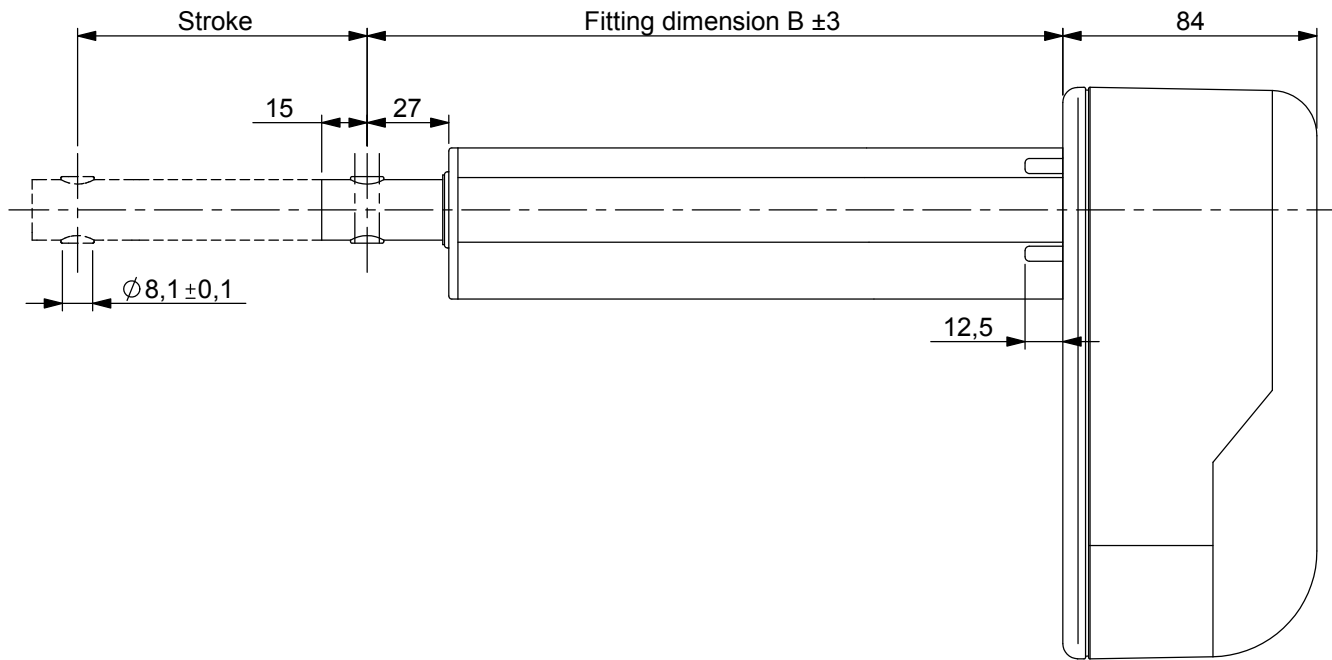
Drive type	single drive
Protection classification	protection classification III
Protection category	IP 20 (IP 54 optional)
Motor voltage	24 V DC
Operating mode	intermittent duty 2/18 min.
Type of load	push / pull
Stroke	up to 500 mm
Adjustment load	max. 1500 N
Mains connection	-
Fitting dimension (B)	95 to 135 mm + stroke (depending on the drive type)
Colours	black
Equipment options	-
Stroke pipe materials	steel, powder-coated
Controls which can be fitted directly to the drive	-
Available drives	VARIOMAT
max. push / pull force at stroke 0 - 500 mm	1500 / 1500 N
Adjustment speed **	up to 22,0 mm/s

** depending on drive configuration at constant 24V without load

We reserve the right to make technical alternations

VARIOMAT

Front view



Side view

